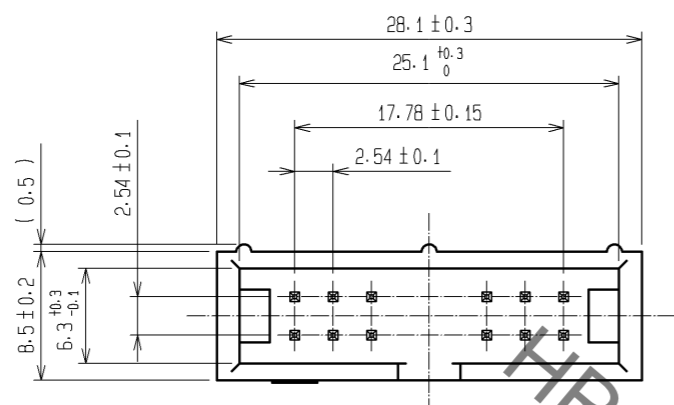
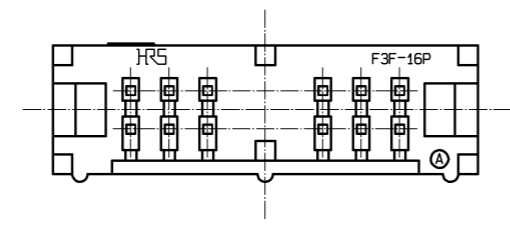
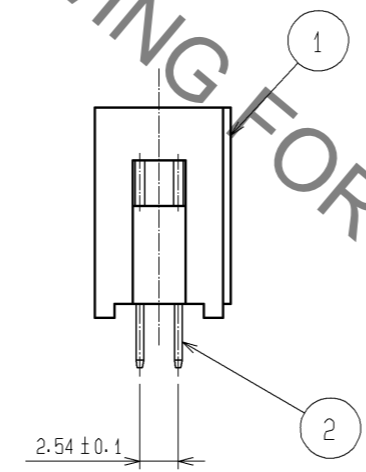
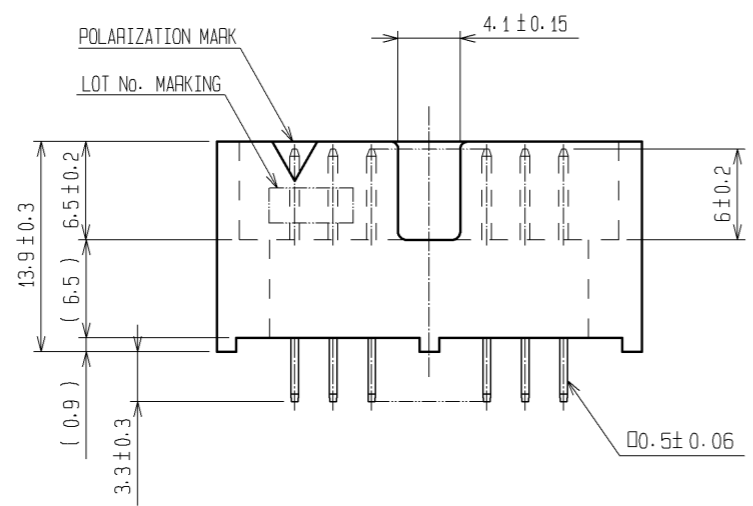
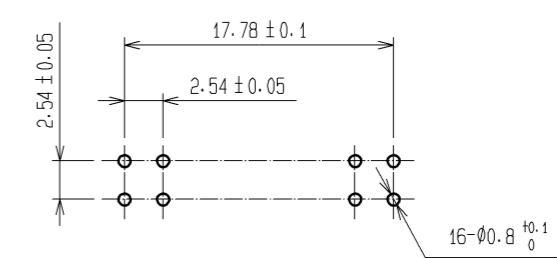


Apr.1.2020 Copyright 2020 HIROSE ELECTRIC CO., LTD. All Rights Reserved.
 In case of consideration for using Automotive equipment / device which demand high reliability, kindly contact our sales window correspondents.



RECOMMENDED PC BOARD HOLE PATTERN



HRS DRAWING FOR REFERENCE

NOTE 1. THE DIMENSIONS IN PARENTHESES ARE FOR REFERENCE.

1	PBT	BLACK	UL94V-0	2	BRASS	CONTACT AREA:GOLD 0.2µm min.		
						LEAD AREA:TIN-PLATING 2µm min.		
						UNDER PLATING:NICKEL 2.5µm min.		
NO.	MATERIAL	FINISH	REMARKS	NO.	MATERIAL	FINISH, REMARKS		
UNITS		SCALE	COUNT	DESCRIPTION OF REVISIONS		DESIGNED	CHECKED	DATE
mm		2 : 1	△					
HRS HIROSE ELECTRIC CO., LTD.		APPROVED : HS. OKAWA	09.05.22	DRAWING NO.		EDC3-016855-21		
		CHECED : HT. YAMAGUCHI	09.05.22	PART NO.		HIF3F-16PA-2.54DSA(71)		
		DESIGNED : YN. TAKANO	09.05.22	CODE NO.		CL615-0062-6-71		
		DRAWN : HK. SUNADORI	09.05.21			△ 1/1		